

**ROFF CONSULTANCY(PTY)LTD**

Cell: +27 828945510 / +27 832140692

Email: [craig@roffconsultancy.co.za](mailto:craig@roffconsultancy.co.za)  
Email: [penny@roffconsultancy.co.za](mailto:penny@roffconsultancy.co.za)

Web: <https://roffconsultancy.co.za/home>



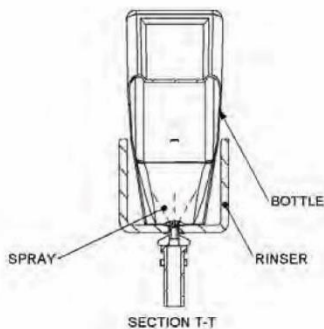
**BEDPAN  
SLUICE SINKS**



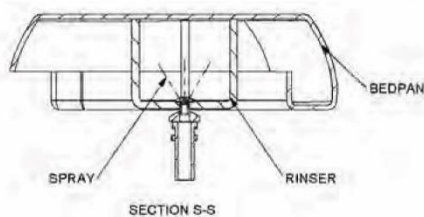
**Combination Sluice Sink**



**Sluice Sink**



**Sectional View of Bottle Rinser**



**Sectional View of Bedpan Rinser**

## Bedpan Sluice Sink

Our new range of sluice sinks have been upgraded to provide improved safe-use of the apparatus. Bedpan and bottle wash spray units operate on demand to prevent accidental spray. The bottle or pan is pressed on a spray nozzle, which is spring operated.

## Standard Features

- Unique Bedpan Bottle Pincher flush system for operator safety
- Significant water savings with on-demand spray nozzle
- Grade 304 (18/10) stainless steel 1.5mm gauge on drainer
- Gallows brackets and front legs as standard
- Formed seamless bowl designed for the highest level of hygiene and durability
- Pre-plumbed at factory and supplied with all brassware fittings to facilitate easier installation
- Sluice bowl with built-in flush rim mechanism with 110mm outlet
- Optional: Retractable hand spray

## Specifications

### Model CBS Bedpan & Wash-up Combination Sink (Sluice sink with bowl)

CBS Sluice Sink code... (please specify) manufactured from grade 304 (18/10) stainless steel, 1.2mm (draining board), 150mm high splashback to the rear, 15mm deep hospital bead and 50mm apron to front and sides. Unit to be fitted with formed seamless sluice bowl with an integral flushing rim, a 38mm diameter inlet pipe for connection to flush valve and a 110mm waste outlet fitted with removable strainer grid protection. Rinse bowl to be of pressed seamless construction discharging to sluice bowl outlet. Worktop sound deadened with a galvanised mild steel backing sheet. Sluice bowl to be supplied with Bedpan Bottle Pincher flush system including Cobra FMI.00 flush valve. Rinse bowl to be fitted with pillar mixer and retractable hand spray. Unit fitted to wall on 40x40mm square stainless steel gallows brackets and front leg with adjustable stainless steel foot piece for bolting to floor (alternative fixing options available... (please specify if required).

## Specifications

### Model BPS with Flush Valve (Sluice sink without rinse bowl)

BPS Sluice Sink code .... (please specify) manufactured from grade 304 (18/10) stainless steel, 1.2mm (draining board) and seamless bowl, 150mm high splashback to the rear, 15mm deep hospital bead and 50mm apron-to-front and sides. Unit to be fitted with a formed seamless sluice bowl with an integral flushing rim, a 38mm-diameter inlet pipe for connection to Cobra FM1.00 flush valve and a 110mm-diameter waste outlet fitted with removable grid protection. Worktop sound deadened with a galvanised mild steel backing sheet. To be supplied with Bedpan Bottle Pincher flush system, Cobra FM1.00 flush valve. Unit fitted to wall on 40x40mm square stainless steel galleys brackets and front leg with adjustable stainless steel foot piece for bolting to floor (alternative fixing options available... please specify if required). Supplied with or without (please specify) retractable hand spray code COB-297CA.

## Product Codes CBS

Order Code	Model	Dimensions	Option	Comments
SMH0108	CBS Bedpan & Wash-up Sink Combination	1800 x 700mm	BP Bowl RHS w Flush Valve	Galleys Mounting
SMH0109	CBS Bedpan & Wash-up Sink Combination	1800 x 700mm	BP Bowl RHS w Flush Valve	Galleys Mounting
SMH0110	CBS Bedpan & Wash-up Sink Combination	1800 x 700mm	BP Bowl RHS w Flush Valve	40 x 40mm Square Legs all round
SMH0111	CBS Bedpan & Wash-up Sink Combination	1800 x 700mm	BP Bowl RHS w Flush Valve	40 x 40mm Square Legs all round

## Product Codes BPS

Order Code	Model	Dimensions	Option	Comments
SMH0100	BPS Bedpan Sluice Sink	1200 x 700mm	BP Bowl RHS w Flush Valve	Galleys Mounting
SMH0101	BPS Bedpan Sluice Sink	1200 x 700mm	BP Bowl RHS w Flush Valve	Galleys Mounting
SMH0102	BPS Bedpan Sluice Sink	1200 x 700mm	BP Bowl RHS w Flush Valve	40 x 40mm Square Legs all round
SMH0103	BPS Bedpan Sluice Sink	1200 x 700mm	BP Bowl RHS w Flush Valve	40 x 40mm Square Legs all round
SMH0104	BPS Bedpan Sluice Sink with Retractable Hand Spray	1200 x 700mm	BP Bowl RHS w Flush Valve	Galleys Mounting
SMH0105	BPS Bedpan Sluice Sink with Retractable Hand Spray	1200 x 700mm	BP Bowl RHS w Flush Valve	Galleys Mounting
SMH0106	BPS Bedpan Sluice Sink with Retractable Hand Spray	1200 x 700mm	BP Bowl RHS w Flush Valve	40 x 40mm Square Legs all round
SMH0107	BPS Bedpan Sluice Sink with Retractable Hand Spray	1200 x 700mm	BP Bowl RHS w Flush Valve	40 x 40mm Square Legs all round



**Bedpan and Bottle Rack**

## Rack for Bedpan & Bottle

Model BPBR

### Standard Features

- All bottle and bedpan hooks fitted to stainless steel wall cladding for improved hygiene
- Entire unit is removable for ease of cleaning
- Integrated drip tray with drain cock
- Manufactured from Grade 304 (18/10) stainless steel – hygienic & durable
- Available in three standard sizes
- Rubber grommets fitted to ends of bottle rods to prevent scratching of bottles

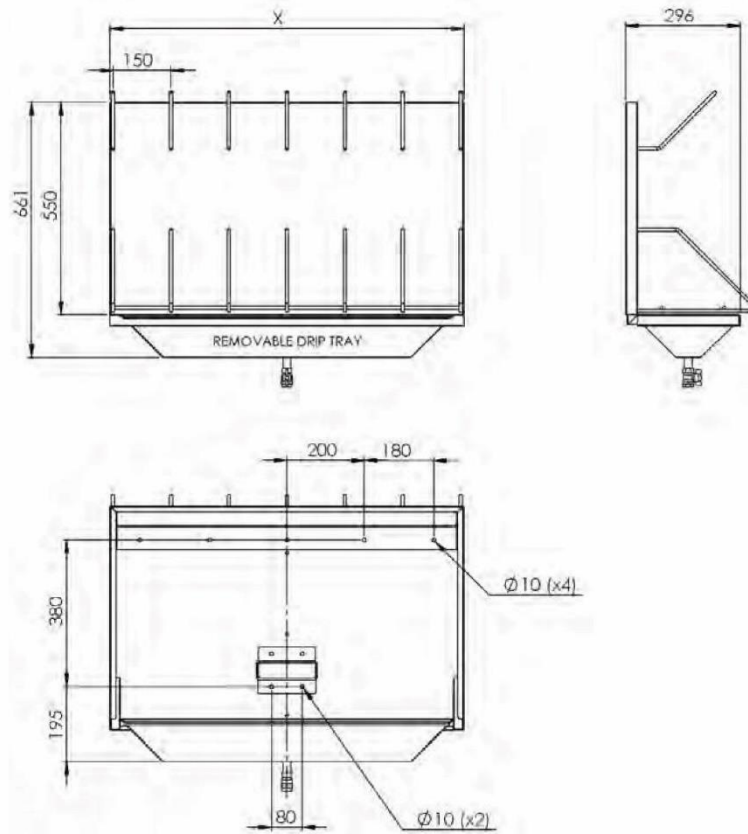
### Specifications

BPBR Bedpan and Bottle Rack code..... (please specify), designed to hold bedpans and bottles made from both stainless steel and/or plastic. Unit manufactured from 1.2mm grade 304 (18/10) stainless steel. Unit to include an integrated removable stainless steel wall cladding with min 550mm height. Bottle and pan storage to be 8mm-diameter grade 304 (18/10) stainless steel round bars secured to back of wall cladding. Drip tray to be fitted with drain cock to facilitate fluid removal to prevent accidental spillage. All round bars to be fitted with rubber grommets. Unit to be secured to wall with galvanised fixing plate and square tubing to enable removal for cleaning.

### Product Codes BPBR

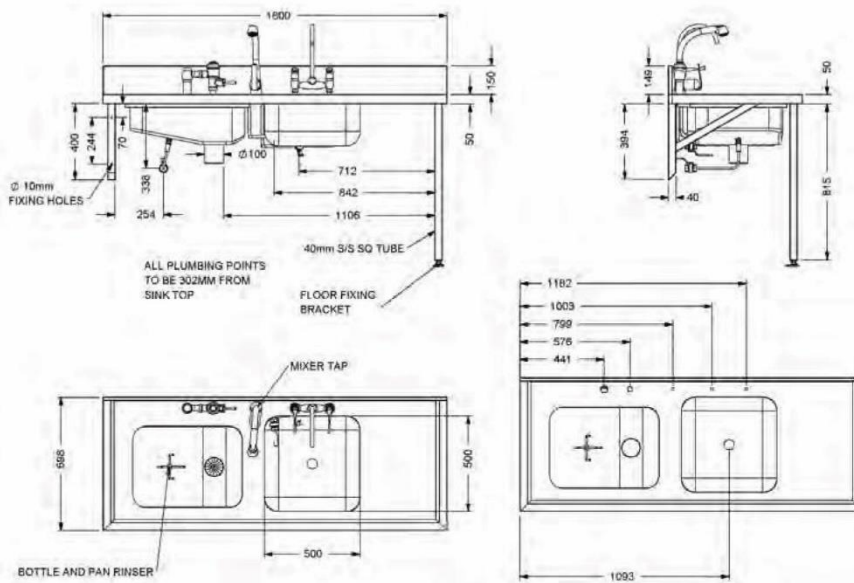
Order Code	Model	Dimensions	Option
SMH0112	BPBR Rack for Bedpan & Bottle	305 x 560mm	Takes 2 Bedpans & 3 Bottles
SMH0113	BPBR Rack for Bedpan & Bottle	610 x 560mm	Takes 4 Bedpans & 5 Bottles
SMH0114	BPBR Rack for Bedpan & Bottle	1000 x 560mm	Takes 6 Bedpans & 7 Bottles

## TECHNICAL DRAWINGS

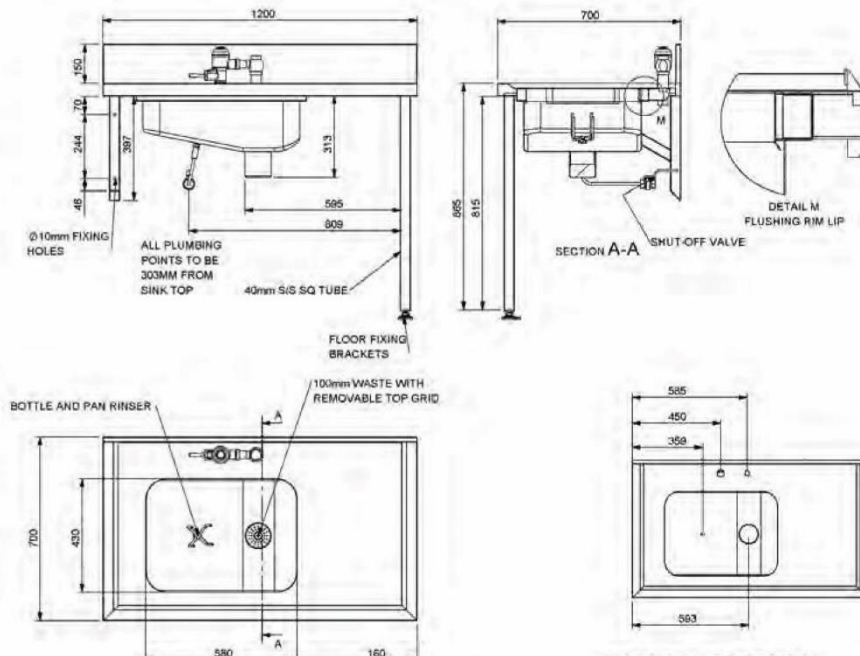


**Bedpan Bottle Rack**

## TECHNICAL DRAWINGS

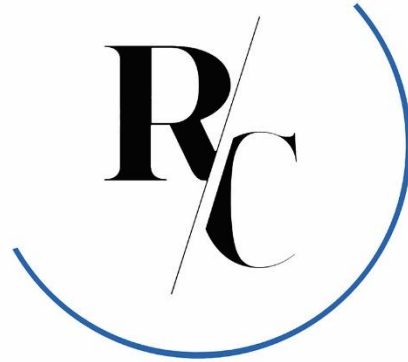


**CBS Combination Sluice Sink**



**BP Sluice Sink**

Disclaimer: the information supplied in this brochure is based on the information believed to be reliable, however not binding and inaccuracies may occur. Roff Consultancy(PTY) Ltd reserves the right to change specifications and design at any time without notice.



**ROFF CONSULTANCY(PTY)LTD**

Cell: +27 828945510 / +27 832140692

Email: [craig@roffconsultancy.co.za](mailto:craig@roffconsultancy.co.za)

Email: [penny@roffconsultancy.co.za](mailto:penny@roffconsultancy.co.za)

Web: <https://roffconsultancy.co.za/home>

**SCRUB SINKS**



**Sensor Operated Scrub Unit**

## Scrub Sinks

### Surgeon Scrub-Up Unit: Sensor operated

Surgical site infection rates can be improved by acting upon various factors, from the surgical environment itself to procedural aspects and staff behaviour.

## Sensor Operated Scrub Unit

### Model SS

The new model SS-Sensor operated surgeon scrub unit is equipped with sensors that activate the demand of water at a pre-set temperature. It is designed to assist with most healthcare procedures. The model SS-Sensor scrub is supplied with a sensor-activated thermostatic mixer. Sensor taps are water efficient as they use up to 70% less water than traditional taps.

## Standard Features

- Grade 304 (18/10) stainless steel 1.5mm gauge
- Two standard lengths
- Sloped splashbacks design and construction for improved hygiene
- Wall mounting supplied with galvanised fixing plate
- Removable panel for maintenance
- Optional: elbow action mixers (to replace sensor)

## Specifications

### Model SS

SS-Sensor operated... mm wall-mounted Surgeon Scrub Unit code... (please specify), manufactured from grade 304(18/10) stainless steel, 1.5mm gauge, complete with 550mm high integral splashback to the rear, tanked internal corners for easy cleaning and provision for 40mm Brass Chrome-plated waste outlet. Unit attached to removable galvanised mild steel 2.0mm-thick fixing plate. Unit fixed to wall 900mm high from the top of the front apron to the finished floor level (FFL) with anchor bolts. To be supplied with Cobra sensor activated, thermostatic mixer that can be manually set. BSP Male Inlets, concealed S-connections and 12V transformer (220V to 12V) box. .

## Product Codes

Order Code	Model	Dimensions	Option
SMH0122	Surgeon Scrub-Up Sink	1500mm	Wall mounted & 2 Sensor Taps
SMH0123	Surgeon Scrub-Up Sink	1800mm	Wall mounted & 3 Sensor Taps



**200mm SB Elbow Action Scrub Unit**

## Elbow Operated Scrub Sinks

### Model SB

SB-Elbow-operated tap... mm wall-mounted Surgeon Scrub-Unit code ... (please specify), manufactured from grade 304(18/10) stainless steel, 1.5mm gauge, complete with 550mm high integral splashback to the rear, tanked internal corners for easy cleaning and provision for 40mm Brass Chrome-plated waste outlet. Unit attached to removable galvanised mild steel 2.0mm-thick fixing plate. Unit fixed to wall 900mm high from the top of the front apron to the finished floor level (FFL) with anchor bolts. (Optional to be supplied with cobra model COB-508 Elbow Action Mixers).

## Standard Features

- Grade 304 (18/10) stainless steel 1.5mm gauge
- Four standard lengths
- Hygienic design and construction
- Wall mounting supplied with galvanised fixing plate
- Removable panel for maintenance
- 200mm Splashback

## Specifications

### Model SB

SB wall-mounted Surgeon's Scrub unit, manufactured from grade 304 (18/10) stainless steel 1.5 mm gauge complete with 200mm high integral splashback to the rear, tanked internal corners for easy cleaning and provision for 40mm CP Brass waste outlet. Unit fitted with removable galvanized mild steel 2.0 mm-thick fixing plate. Unit fixed to wall 900mm high from the top of the front apron to the finish floor level with anchor bolts. Unit comes with optional elbow mixer tap code COB-508.

## Product Codes

Order Code	Model	Dimensions	Option
SMH0124	Surgeon Scrub-Up Sink	1500mm	Wall-mounted & 2 Elbow-Operated Taps
SMH0125	Surgeon Scrub-Up Sink	1800mm	Wall-mounted & 3 Elbow-Operated Taps
SMH0126	Surgeon Scrub-Up Sink	1500mm	No Taps
SMH0127	Surgeon Scrub-Up Sink	1800mm	No Taps

**Elbow Action Mixer SBS****Sensor-Activated SBSS**

## Single Bowl Scrub Unit

Ideally suited for sluice rooms, clinics and veterinary applications.

### Standard Features

- Sensor-operated or elbow action models
- Grade 304 (18/10) stainless steel 1.2mm gauge
- Ideally suited for sluice rooms, clinics, doctor's rooms and veterinary applications
- 700mm width to facilitate fitting of disinfectant/soap dispensers
- Pressed bowl 500x500x250mm deep with 63-litres capacity 1mm gauge
- 350mm high splashback
- A basket strainer 90mm waste is supplied as standard
- Wall-mounted with slots for easy installation
- Estimated 40% water saving with sensor operation

## Specifications

### Elbow Action Mixer Tap Scrub Unit

SBS single bowl code... (please specify) surgeon scrub-up unit, size 700x670x340mm deep manufactured from grade 304 (18/10) stainless steel 1.2mm gauge complete an integral splashback 350mm high fitted with elbow action medical mixer tap. Unit fitted with a pressed bowl 500x500x250 mm deep manufactured from grade 304 (18/10) stainless steel 1mm gauge complete with a 110mm basket strainer waste fitting (supplied with unit). Scrub sink secured to wall 900mm high from the top of the front apron to the finish floor by a fixing bracket and anchor bolts. Elbow action mixer Cobra Model 508 (measured elsewhere).

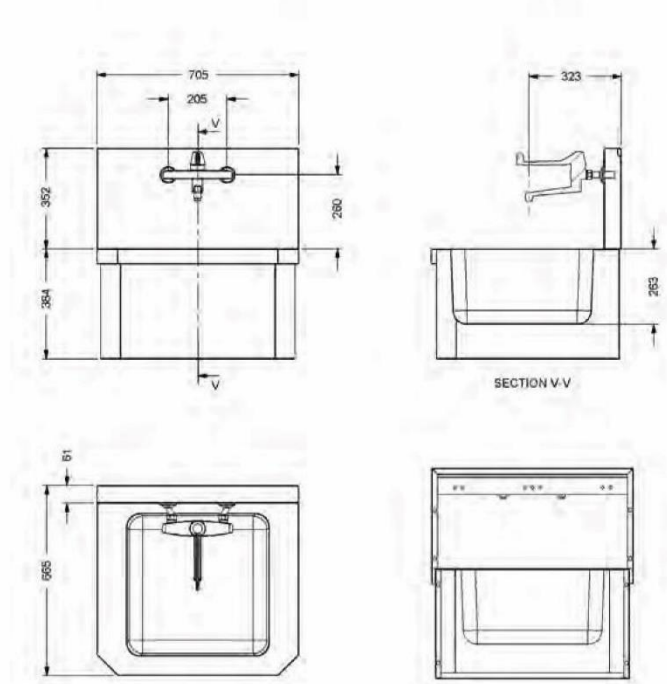
### Sensor Mixer Spout Scrub Unit

SBSS-Sensor single bowl code... (please specify) sensor surgeon scrub-up unit, size 700x670x340mm deep manufactured from grade 304 (18/10) stainless steel 1.2mm gauge complete an integral splashback 300mm high with provision to fit sensor medical mixer spout. Unit fitted with a pressed bowl 500x500x250mm deep manufactured from grade 304 (18/10) stainless steel 1mm gauge complete with a 110mm basket strainer waste fitting (supplied with unit). Scrub sink secured to wall 900mm high from the top of the front apron to the finish floor by a fixing bracket and anchor bolts. Cobra sensor activated, thermostatic mixer that can be manually set. BSP Male Inlets, concealed S-connections and 12V transformer (220V to 12V) box.

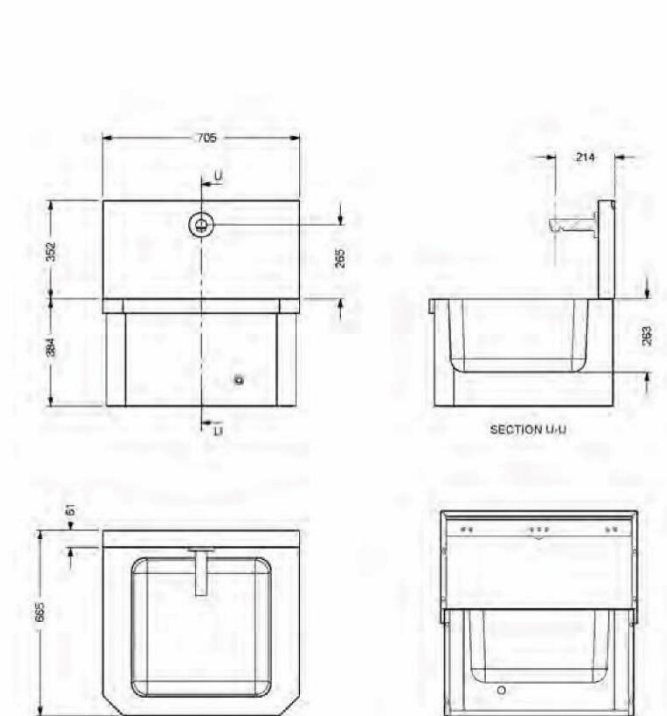
## Product Codes

Order Code	Model	Dimensions	Option	Comments
SMH0119	Single Bowl Scrub-Up Unit	654 x 700 x 633mm	With or without taps	Elbow Action Mixer
SMH0120	Single Bowl Scrub-Up Unit	654 x 700 x 633 mm	With or without taps	Sensor Activated

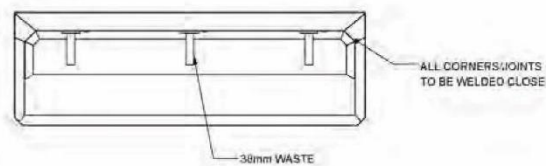
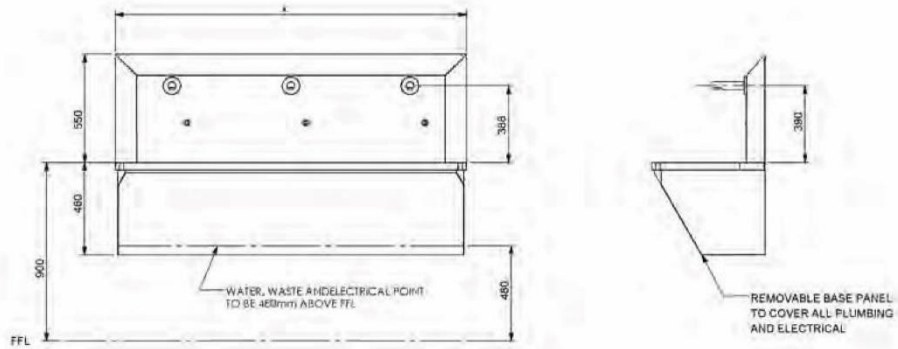
## TECHNICAL DRAWINGS



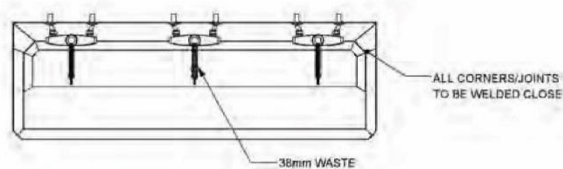
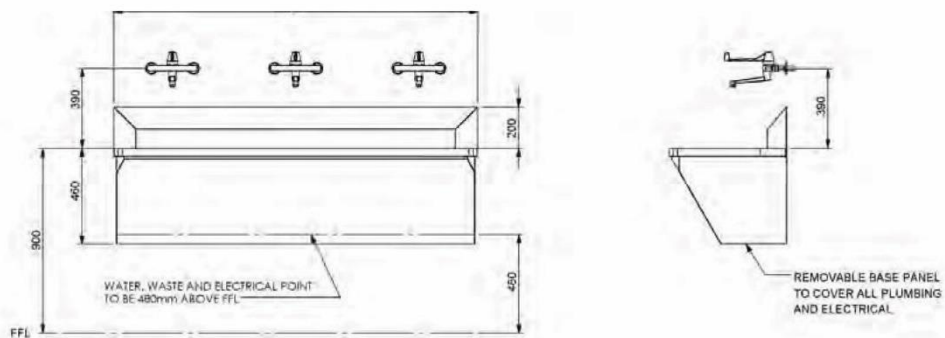
SBS Shown with optional Cobra 508 Medical Mixer



Sensor Operated Scrub SBSS

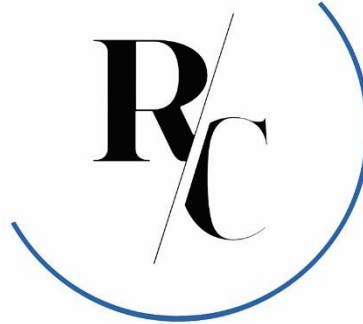


**SS Sensor Operated Scrub Unit**



**SB Elbow Action Scrub Unit**

Disclaimer: the information supplied in this brochure is based on the information believed to be reliable, however not binding and inaccuracies may occur. Roff Consultancy(PTY) Ltd reserves the right to change specifications and design at any time without notice.



**ROFF CONSULTANCY(PTY)LTD**

Cell: +27 828945510 / +27 832140692

Email: [craig@roffconsultancy.co.za](mailto:craig@roffconsultancy.co.za)  
Email: [penny@roffconsultancy.co.za](mailto:penny@roffconsultancy.co.za)

Web: <https://roffconsultancy.co.za/home>

**SLOP  
HOPPERS**



Slop Hopper

## Slop Hopper

Model SH

### Standard Features

- Grade 304 (18/10) stainless steel 1.2mm gauge
- 100mm splashback to back and sides
- Hygienic and rigid construction
- Sturdy hinged bucket grid
- The outlet is designed to suit a standard 110mm PVC or cast iron "P"-Trap
- Removable strainer grid to prevent blockage as standard

### Specifications

#### Standard Flushing Method using Flush Valve

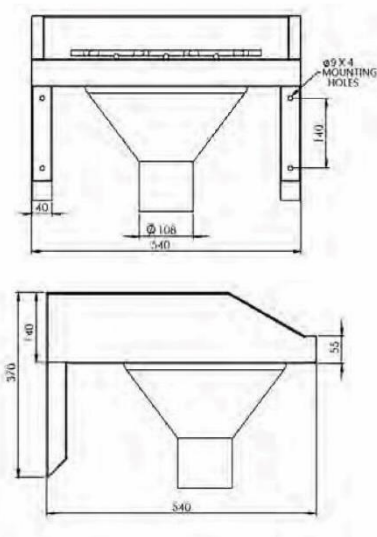
SH Slop Hopper SMH0012 540x540mm manufactured from grade 304 (18/10) stainless steel 1.2 mm gauge with 100mm high integral splashback to the rear and both sides. The cone to have an integral flushing rim and a 110mm waste outlet for connection to P- or S-trap. Outlet to be fitted with removable strainer grid to prevent blockage. Inlet to be fitted with a 38x250mm long vertical flush pipe to facilitate fitting of a standard flush valve. The unit to be fitted with a hinged bucket grid manufactured from 10mm-diameter grade 304 (18/10) stainless steel round bar complete with two 40x40mm square stainless steel wall mounting gallows brackets. Unit to be fixed to wall 600mm from the top of the front apron to the finish floor level with 4 off anchor bolts. Cobra model COB-FM1.000 (please specify) flush valve.

#### Optional Flushing Solutions

Flushing options include Cobra model FM 1.000 - 35mm water supply flush valve or Cobra FJ 2.000 - 20mm water supply flush valve and a Cobra FJT 1.2 straight flush pipe connected to CP on brass adaptor. (Flushvalves elsewhere measured)\* The Slop Hopper flushing valve optional. High level cistern: available upon request.

Note\*: Plumber to check on water flow and pressure requirements.

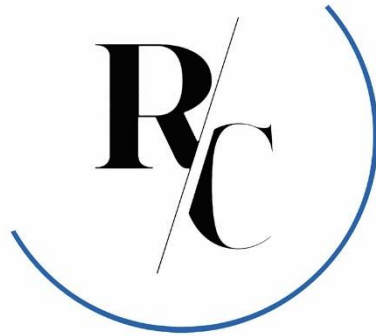
## TECHNICAL DRAWINGS



### Product Codes

Order Code	Model	Dimensions
SMH0115	SH Slop Hopper	540 x 540 x 415mm
SMH0116	SH Slop Hopper with Flush Valve	540 x 540 x 415mm

Disclaimer: the information supplied in this brochure is based on the information believed to be reliable, however not binding and inaccuracies may occur. Roff Consultancy(PTY) Ltd reserves the right to change specifications and design at any time without notice.



**ROFF CONSULTANCY(PTY)LTD**

Cell: +27 828945510 / +27 832140692

Email: [craig@roffconsultancy.co.za](mailto:craig@roffconsultancy.co.za)  
Email: [penny@roffconsultancy.co.za](mailto:penny@roffconsultancy.co.za)

Web: <https://roffconsultancy.co.za/home>



**CLEANER  
DRIP SINKS**

**Large Cleaner Sink 350mm Splashback****Large Cleaner Sink 50mm Splashback**

## Cleaner Drip Sinks

### Large Cleaner Drip Sink

A large pressed bowl 50-litre capacity cleaner sink with 250mm depth to minimise spillage as a standard. A new model with integrated 450mm splashback has been introduced to improve hygiene against wall.

### Standard Features

- Grade 304 (18/10) 1.2 mm stainless steel
- Large bowl 50-litre capacity
- Hinged bucket grid
- Stainless steel gallows brackets
- 350mm or 50mm high splashback
- Optional: without tap and tap holes

### Specifications

#### 450mm Splashback Model

LCDS cleaner sink code... (please specify) with 450x450x250mm deep seamless pressed bowl, manufactured from Grade 304 (18/10) stainless steel 1.2mm gauge. Splashback to be 450mm in height and provision for a 40mm waste outlet. Unit to be fitted with stainless steel hinged bucket grid manufactured from 10mm diameter stainless steel round bar and fixed to the wall 600mm high from the top of the front apron to the finish floor level using a top mounting bracket and a hanger bracket with anchor bolts.

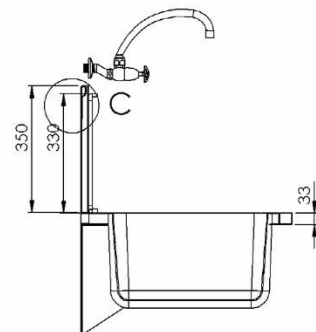
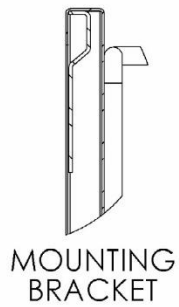
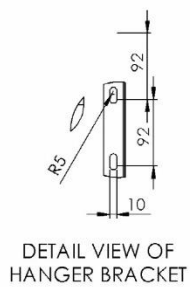
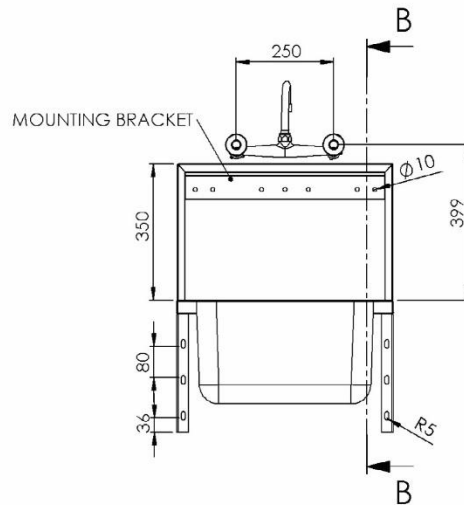
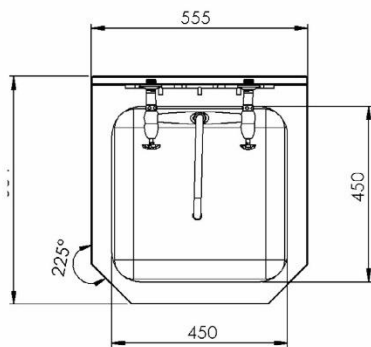
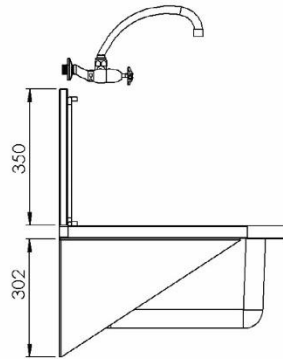
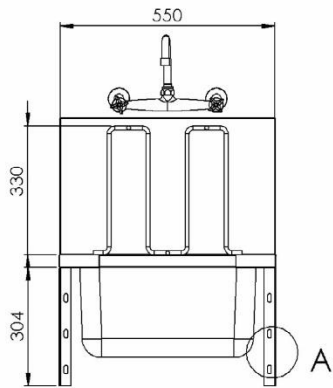
#### 50mm Splashback Model

LCDS cleaner sink code... (please specify) with 450x450x250mm deep seamless pressed bowl, manufactured from Grade 304 (18/10) stainless steel 1.2mm gauge. Splashback to be 50mm in height and provision for a 40mm waste outlet. Unit to be fitted with stainless steel hinged bucket grid manufactured from 10mm diameter stainless steel round bar and fixed to the wall 600mm high from the top of the front apron to the finish floor level using a hanger bracket with anchor bolts.

### Product Codes

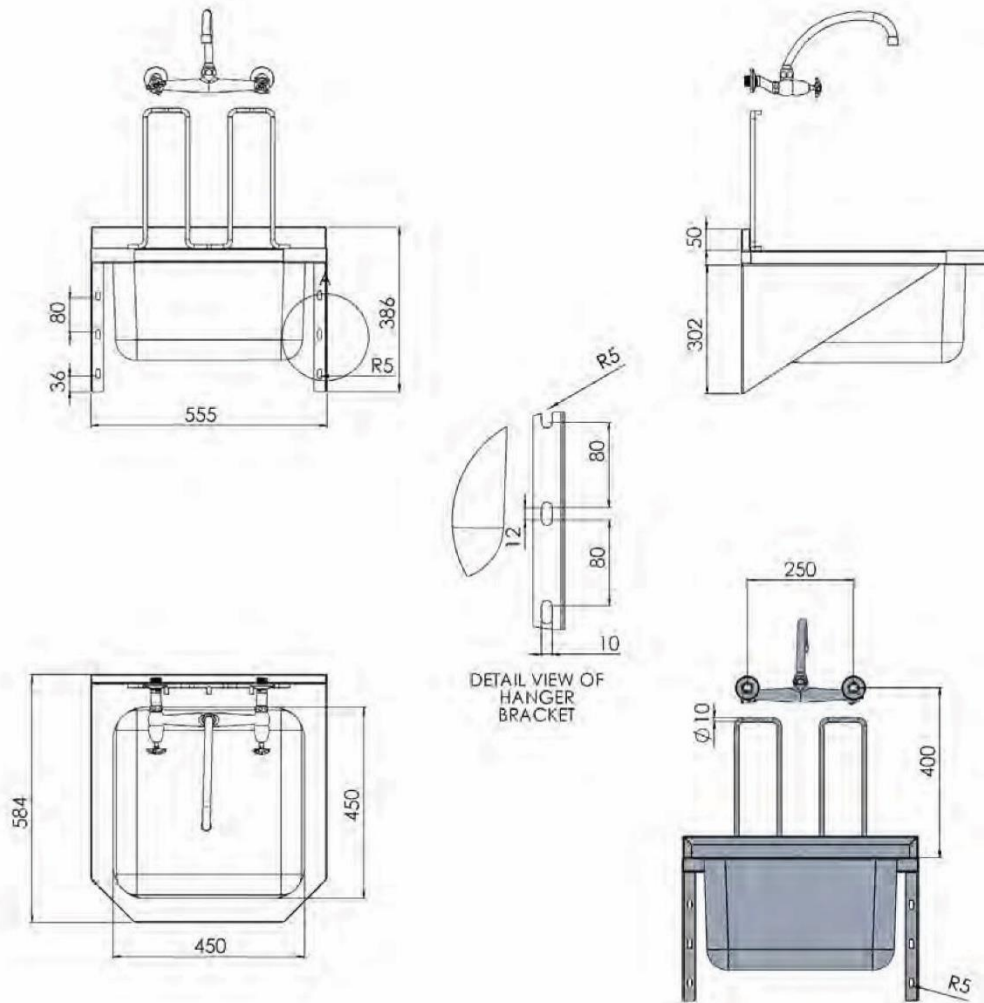
Order Code	Model	Dimensions	Comments
SMH0117	LCDS Large Cleaner Drip Sink 450mm SB	600 x 500 x 300mm	Hanger Bracket
SMH0118	LCDS Large Cleaner Drip Sink 50mm SB	600 x 500 x 300mm	Hanger Bracket

## TECHNICAL DRAWINGS

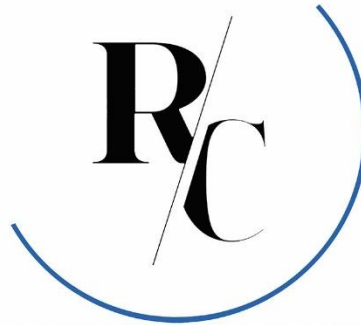


SECTION B-B

## TECHNICAL DRAWINGS



Disclaimer: the information supplied in this brochure is based on the information believed to be reliable, however not binding and inaccuracies may occur. Roff Consultancy(PTY) Ltd reserves the right to change specifications and design at any time without notice.



**ROFF CONSULTANCY(PTY)LTD**

Cell: +27 828945510 / +27 832140692

Email: [craig@roffconsultancy.co.za](mailto:craig@roffconsultancy.co.za)

Email: [penny@roffconsultancy.co.za](mailto:penny@roffconsultancy.co.za)

Web: <https://roffconsultancy.co.za/home>



**COMMERCIAL  
SINKS**

**Sink Bowl Catering Sink****Double Bowl Catering Sink**

## Commercial Sinks

Our expertise, experience and technology makes us a global player in the field of commercial sinks and tables. Our quality is of international standards.

### Standard Features

- Pressed bowls 500x500x250mm deep
- Grade 304 (18/10) stainless steel 1.2mm gauge
- Fully sound deadened with galvanised backing sheet
- Beaded edge to prevent spillage
- 63-Litre bowl capacity
- Single or double bowl
- Stainless steel gallows (suitable with legs only)
- 150mm splashback

### Specifications

#### Single Bowl Catering Sinks

SBS Catering Sink code ... (please specify) single end/centre (please specify bowl), manufactured from grade 304 stainless steel 1.2mm gauge complete with a 150mm high integral splashback to the rear and 50mm turndown with a beaded edge on the remaining sides. Sink with pressed 500x500x250mm deep bowl and provision for 38mm waste outlet. The underside to have a sound deadening galvanised mild steel backing sheet. Fixed to wall and floor with 40x40mm stainless gallows bracket and front leg, 900mm high from the top of the front apron to the finish floor secured with anchor bolts.

#### Double Bowl Catering Sinks

DBCS code... (please specify ), double bowl end/centre (please specify bowl), manufactured from grade 304 stainless steel 1.2mm gauge complete with a 150mm high integral splashback to the rear and 50mm turndown with a beaded edge on the remaining sides. Sink with pressed 500x500x250mm deep bowls and provision for a 40mm waste outlet. The underside to have a sound deadening galvanised mild steel backing sheet. Fixed to wall and floor with 40x40mm stainless gallows bracket and front leg, 900mm high from the top of the front apron to the finish floor secured with anchor bolts.

## Product Codes

### Single Bowl Catering Sink

Order Code	Model	Dimensions	Option
SMH0128	Single Bowl Sink	1200 x 650mm	Bowl LHS
SMH0129	Single Bowl Sink	1200 x 650mm	Bowl RHS
SMH0130	Single Bowl Sink	1200 x 650mm	Bowl Centre
SMH0131	Single Bowl Sink	1600 x 650mm	Bowl LHS
SMH0132	Single Bowl Sink	1600 x 650mm	Bowl RHS
SMH0133	Single Bowl Sink	1600 x 650mm	Bowl Centre
SMH0134	Single Bowl Sink	1200 x 650mm	Bowl LHS & Wall-mounted*
SMH0135	Single Bowl Sink	1200 x 650mm	Bowl RHS & Wall-mounted*
SMH0136	Single Bowl Sink	1200 x 650mm	Bowl Centre & Wall-mounted*
SMH0137	Single Bowl Sink	1600 x 650mm	Bowl LHS & Wall-mounted*
SMH0138	Single Bowl Sink	1600 x 650mm	Bowl RHS & Wall-mounted*
SMH0139	Single Bowl Sink	1600 x 650mm	Bowl Centre & Wall-mounted*

\* Wall-mounted - fitted with galleys bracket and one set of front legs

## Product Codes

### Double Bowl Catering Sink

Order Code	Model	Dimensions	Option
SMH0140	Double Bowl Sink	1600 x 650mm	Bowl LHS
SMH0141	Double Bowl Sink	1600 x 650mm	Bowl RHS
SMH0142	Double Bowl Sink	1600 x 650mm	Bowl Centre
SMH0143	Double Bowl Sink	1800 x 650mm	Bowl LHS
SMH0144	Double Bowl Sink	1800 x 650mm	Bowl RHS
SMH0145	Double Bowl Sink	1800 x 650mm	Bowl Centre
SMH0146	Double Bowl Sink	2200 x 650mm	Bowl LHS
SMH0147	Double Bowl Sink	2200 x 650mm	Bowl RHS
SMH0148	Double Bowl Sink	2200 x 650mm	Bowl Centre
SMH0149	Double Bowl Sink	1600 x 650mm	Bowl LHS & Wall-mounted*
SMH0150	Double Bowl Sink	1600 x 650mm	Bowl RHS & Wall-mounted*
SMH0151	Double Bowl Sink	1600 x 650mm	Bowl Centre & Wall-mounted*
SMH0152	Double Bowl Sink	1800 x 650mm	Bowl LHS & Wall-mounted*
SMH0153	Double Bowl Sink	1800 x 650mm	Bowl RHS & Wall-mounted*
SMH0154	Double Bowl Sink	1800 x 650mm	Bowl Centre & Wall-mounted*
SMH0155	Double Bowl Sink	2200 x 650mm	Bowl LHS & Wall-mounted*
SMH0156	Double Bowl Sink	2200 x 650mm	Bowl RHS & Wall-mounted*
SMH0157	Double Bowl Sink	2200 x 650mm	Bowl Centre & Wall-mounted*

\* Wall-mounted - fitted with galleys bracket and one set of front legs



**Single Bowl Pot Sink**

### Standard Features

- Pressed bowls 600x500x300mm deep
- Grade 304 (18/10) stainless steel 1.2mm gauge
- Fully sound deadened with galvanised backing sheet
- Beaded edge to prevent spillage
- 90-Litre bowl capacity
- Single or double bowl
- Stainless steel gallows bracket and front legs
- Optional under shelving (suitable with legs only)
- 150mm splashback

### Specifications

#### Single Bowl Pot Sinks

SMH Pot Sink model code... (please specify), single centre/end bowl (please specify bowl), manufactured from grade 304 stainless steel 1.2mm-thick complete with a 150mm high integral splashback to the back and 50x10mm turndown with a beaded edge on the remaining sides. Sink with a fabricated 600x500x300mm deep bowl and provision for a 40mm waste outlet. The underside has a galvanised mild steel backing sheet. Fixed to wall and floor with 40x40mm stainless gallows bracket and front leg, 900mm high from the top of the front apron to the finish floor secured with anchor bolts.



**Double Bowl Pot Sink**

#### Double Bowl Pot Sinks

SMH Pot Sink model code... (please specify), double centre/end (please specify bowl), manufactured from grade 304 stainless steel 1.2mm-thick complete with a 150mm high integral splashback and 50x10mm turndown with a beaded edge on the remaining sides. Sink is made with press formed seamless 600x500x300mm deep bowls, with 40mm waste outlets. The underside has a galvanised mild steel backing sheet. Fixed to wall and floor with 40x40mm stainless gallows bracket and front leg, 900mm high from the top of the front apron to the finish floor secured with anchor bolts.

## Product Codes

### Single Bowl Pot Sinks

Order Code	Model	Dimensions	Option
SMH0158	Single Bowl Pot Sink	900 x 650mm	Bowl Centre
SMH0159	Single Bowl Pot Sink	900 x 650mm	Bowl Centre & Wall-mounted*

\* Wall-mounted - fitted with gallows bracket and one set of front legs

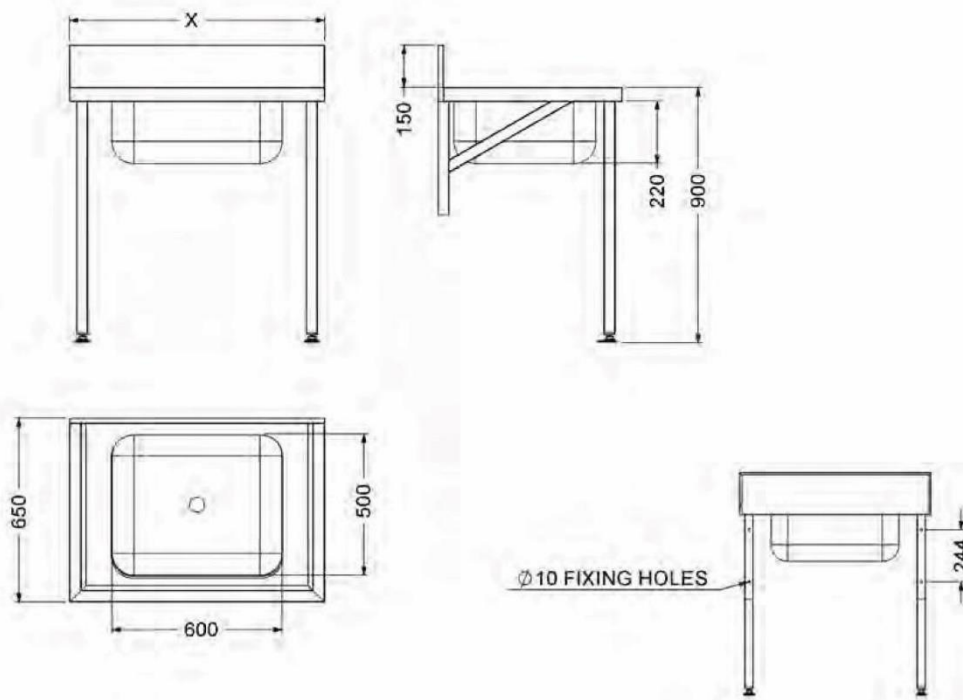
## Product Codes

### Double Bowl Pot Sinks

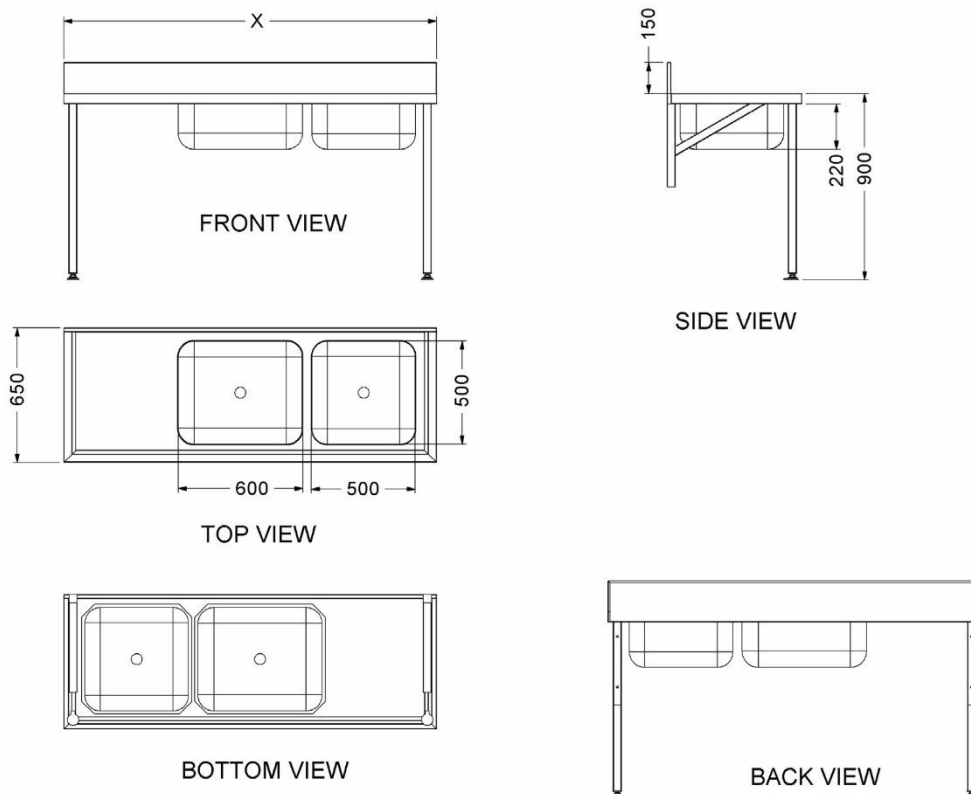
Order Code	Model	Dimensions	Option
SMH0160	Double Bowl Pot Sink	1800 x 650mm	Bowl Centre
SMH0161	Double Bowl Pot Sink	2200 x 650mm	Bowl LHS
SMH0162	Double Bowl Pot Sink	2200 x 650mm	Bowl RHS
SMH0163	Double Bowl Pot Sink	2200 x 650mm	Bowl Centre
SMH0164	Double Bowl Pot Sink	1800 x 650mm	Bowl Centre & Wall-mounted*
SMH0165	Double Bowl Pot Sink	2200 x 650mm	Bowl LHS & Wall-mounted*
SMH0166	Double Bowl Pot Sink	2200 x 650mm	Bowl RHS & Wall-mounted*
SMH0167	Double Bowl Pot Sink	2200 x 650mm	Bowl Centre & Wall-mounted*

\* Wall-mounted - fitted with gallows bracket and one set of front legs

## TECHNICAL DRAWINGS



**Single Bowl Pot Sink**



**Double Bowl Pot Sink**

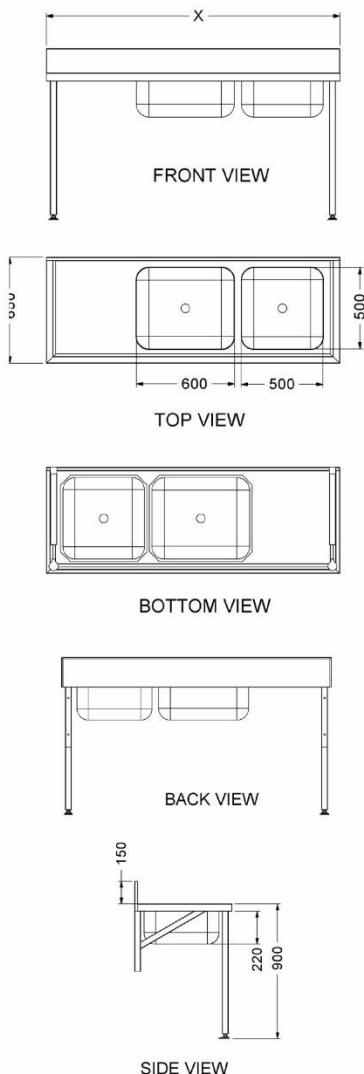


**Double Bowl Stainless Steel Preparation Sinks**

### Standard Features

- Pressed bowls 600x500x300mm deep and 500x500x250mm deep
- Grade 304 (18/10) stainless steel 1.2mm gauge
- Fully sound deadened with galvanised backing sheet
- Beaded edge to prevent spillage
- 1 x 63-Litre bowl capacity
- 1 x 90-Litre bowl capacity
- Stainless steel gallows bracket and front legs
- Optional under shelving (suitable with legs only)
- 150mm splashback

### TECHNICAL DRAWINGS



### Specifications

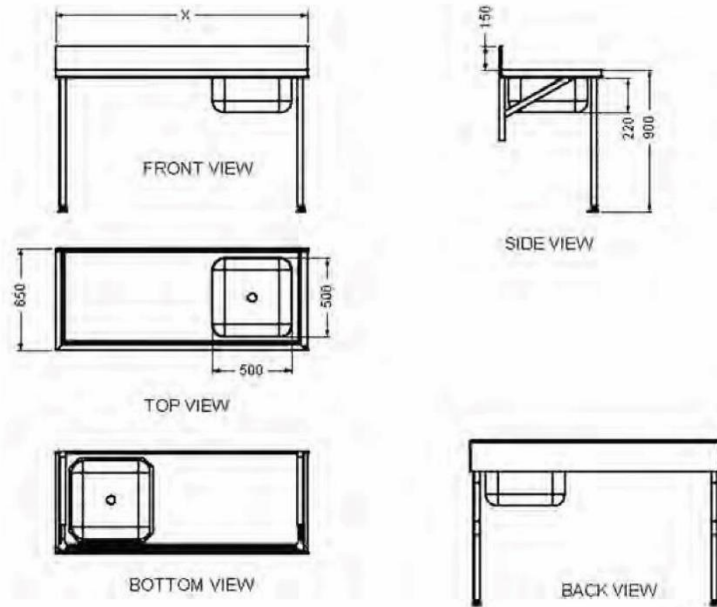
DBPS double bowl preparation sink code ... (please specify), manufactured from grade 304 stainless steel 1.2mm-thick with a 150mm high integral splashback to the back and 50x10mm turndown with a beaded edge on the remaining sides. Pressed catering sink bowl 500x500x250mm deep and a press formed pot sink bowl 600x500x300mm deep complete with provision for 40mm waste outlets. The underside has a galvanised mild steel backing sheet. Fixed to wall and floor with 40x40mm stainless gallows bracket and front leg, 900mm high from the top of the front apron to the finish floor secured with anchor bolts.

### Product Codes

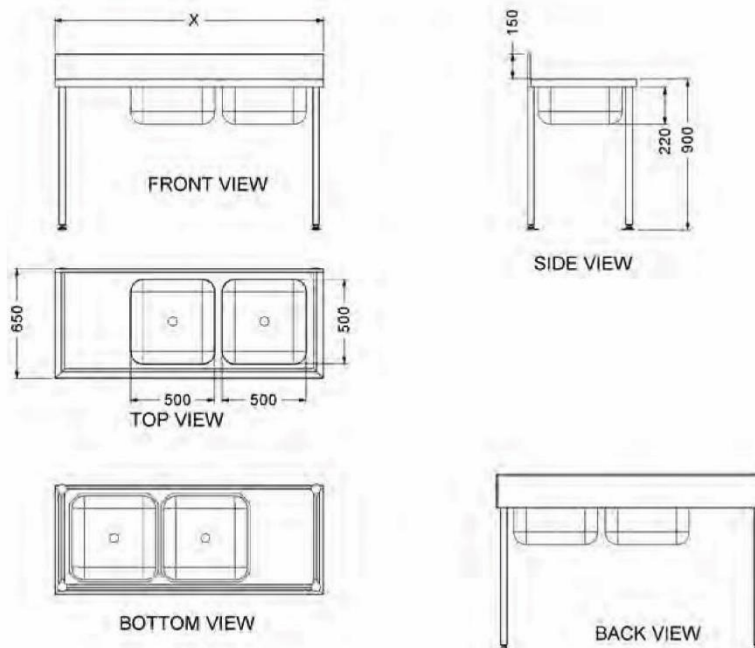
Order Code	Model	Dimensions	Option
SMH0168	Double Bowl Prep Sink	1800 x 650mm	Bowl LHS
SMH0169	Double Bowl Prep Sink	1800 x 650mm	Bowl RHS
SMH0170	Double Bowl Prep Sink	1800 x 650mm	Bowl LHS & Wall-mounted*
SMH0171	Double Bowl Prep Sink	1800 x 650mm	Bowl RHS & Wall-mounted*

\* Wall-mounted – fitted with gallows bracket and one set of front legs

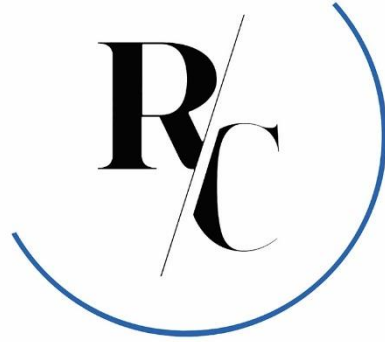
## TECHNICAL DRAWINGS



**Single Bowl Catering Sink**



**Double Bowl Catering Sink**



**ROFF CONSULTANCY(PTY)LTD**

Cell: +27 828945510 / +27 832140692

Email: [craig@roffconsultancy.co.za](mailto:craig@roffconsultancy.co.za)  
Email: [penny@roffconsultancy.co.za](mailto:penny@roffconsultancy.co.za)

Web: <https://roffconsultancy.co.za/home>



**COMMERCIAL  
TABLES  
AND WALL  
BENCHES**



**Wall Bench table with gallows**



**Table with legs for shelving**



**Underside galvanised backing sheet**

## Commercial Tables and Wall Benches

It is not easy to be a global player; your quality has to consistently exceed expectations. While all tables look the same on top, it is on the underside where the difference is. Such high-end quality is only achievable through the investment in high-tech equipment to eliminate human error.

### Standard Features

- Manufactured from grade 304 stainless steel, 1.2mm gauge with a 50mm apron all round
- Sound deadened galvanised mild steel backing sheet
- Stainless steel gallows brackets and front legs as standard
- Optional legs and shelving
- 150mm Splashback on wall bench
- Side splashbacks available upon request

### Specifications

#### Wall Benches with gallows bracket and front leg

SWB Wall Bench Code... (please specify) manufactured from grade 304 stainless steel, 1.2mm gauge with 150mm splashback and a 50mm turndown all round. The underside to be fitted with a galvanised mild steel backing sheet. Fixed to wall and floor with 40x40mm stainless steel gallows bracket and front leg, 900mm high from the top of the front apron to the finish floor secured with anchor bolts.

#### Tables with front leg

SMH Table Code... (please specify) manufactured from grade 304 stainless steel, 1.2mm gauge with 150mm splashback and a 50mm turndown all round. The underside to be fitted with a galvanised mild steel backing sheet. Fixed to floor with 40x40mm stainless steel legs, 900mm high from the top of the front apron to the finish floor secured with anchor bolts.

## Product Codes

### Wall Benches with gallows bracket and front leg

Order Code	Model	Dimensions	Option
SMH0172	Wall Bench Table 1600	1600 x 650mm	Splash Back & Wall-mounted
SMH0173	Wall Bench Table 1800	1800 x 650mm	Splash Back & Wall-mounted
SMH0174	Wall Bench Table 2200	2200 x 650mm	Splash Back & Wall-mounted

## Product Codes

### Tables with legs

Order Code	Model	Dimensions	Option
SMH0175	Table 1600	1600 x 650mm	No splashback
SMH0176	Table 1800	1800 x 650mm	No splashback
SMH0177	Table 2200	2200 x 650mm	No splashback
SMH0178	Table 1600	1600 x 650mm	Splashback
SMH0179	Table 1800	1800 x 650mm	Splashback
SMH0180	Table 2200	2200 x 650mm	Splashback

**Slatted shelf****Solid shelf**

## Standard Features

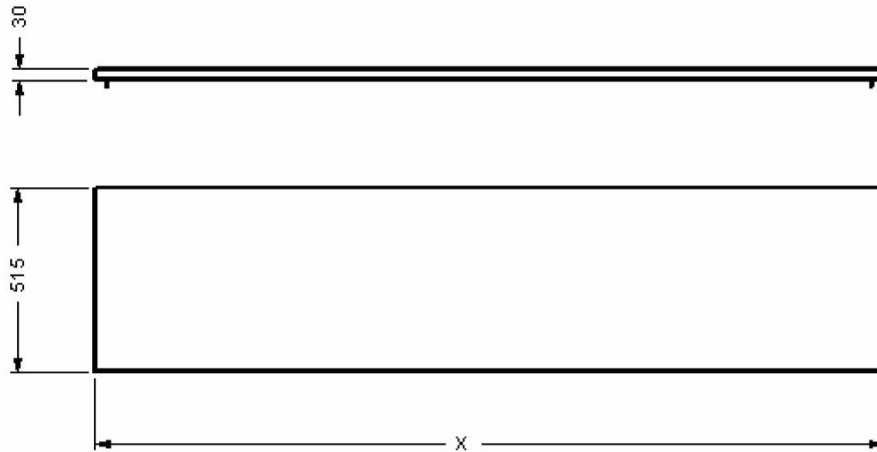
SMH undershelves code... (please specify)

- Manufactured from grade 304 (18/10) 1.2mm stainless steel solid or slatted

## Product Codes

Order Code	Model	Dimensions	Option
SMH0181	Undershelf	1600 x 500mm	Stainless solid
SMH0182	Undershelf	1600 x 500mm	Stainless slatted
SMH0183	Undershelf	1800 x 500mm	Stainless solid
SMH0184	Undershelf	1800 x 500mm	Stainless slatted
SMH0185	Undershelf	2200 x 500mm	Stainless solid
SMH0186	Undershelf	2200 x 500mm	Stainless slatted

## TECHNICAL DRAWINGS

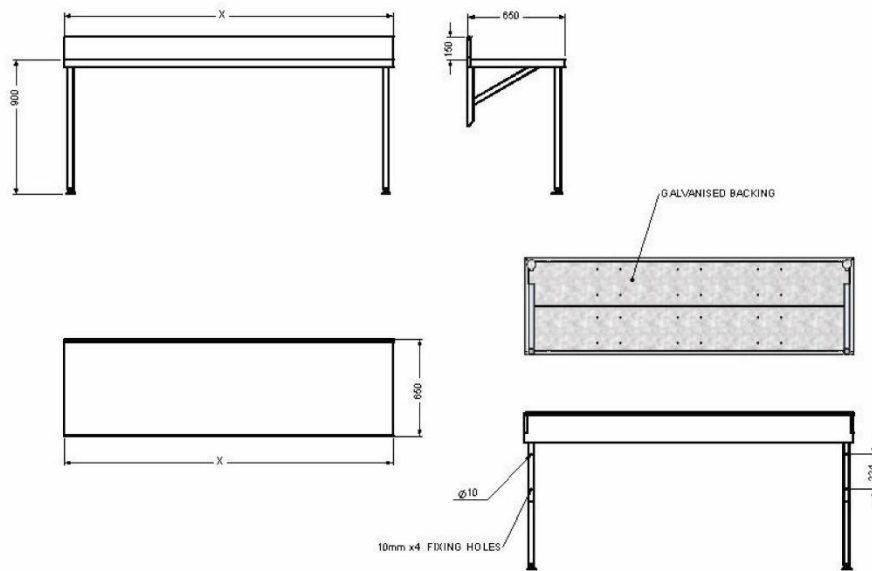


**Solid Undershelf**



**Slatted Undershelf**

## TECHNICAL DRAWINGS



Wall bench with gallows

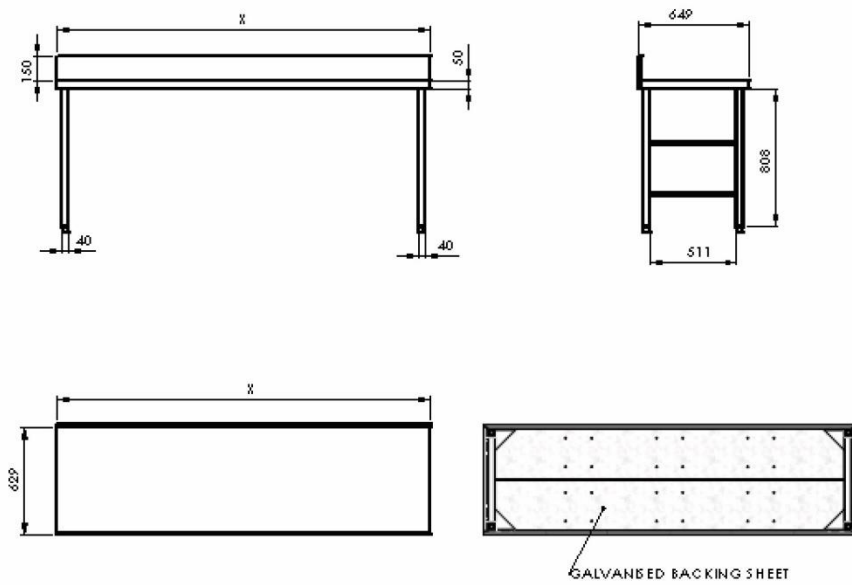
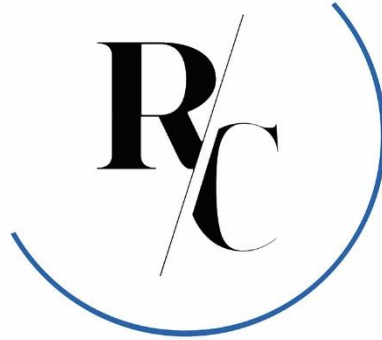


Table with legs



**ROFF CONSULTANCY(PTY)LTD**

Cell: +27 828945510 / +27 832140692

Email: [craig@roffconsultancy.co.za](mailto:craig@roffconsultancy.co.za)

Email: [penny@roffconsultancy.co.za](mailto:penny@roffconsultancy.co.za)

Web: <https://roffconsultancy.co.za/home>

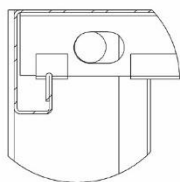
**SHELVING  
SYSTEMS**



Perforated Floor Type Shelving



Solid Floor Type Shelving



Sectional Safety Edge View of Shelf

## Floor Type Shelving

The shelving system is of high quality achieved through the use of a fully automated panel bender machine, which also produces each shelf and post with a safety edge.

## Standard Features

- Safety edge construction on shelves and posts
- Modular – easy to assemble, expand and adjust
- Stainless steel angular posts for strength
- Mobile – suitable for many applications
- Durable – constructed and designed to the highest standards of strength and hygiene
- Includes nuts and bolts for assembly
- Can be fixed to floor
- Perforated shelves with staggered 8mm diameter holes, spaced 50mm apart
- 500mm or 380mm wide shelves

## Specifications

SMH Modular Shelving Code... (please specify) with solid or perforated (please specify), shelves manufactured from 0.9mm-thick grade 304 (18/10) stainless steel. Posts manufactured from 0.9mm gauge grade 304 stainless steel, bent at a 90-degree angle & complete with a safety edge. Inclusive of nuts and bolts for assembly.

## Product Codes

Order Code	Model	Dimensions	Option
SMH0187	4 Tier Floor Type Shelf Assembly	900 x 500 x 1800mm	304SS Solid
SMH0188	4 Tier Floor Type Shelf Assembly	900 x 380 x 1800mm	304SS Solid
SMH0189	4 Tier Floor Type Shelf Assembly	1130 x 500 x 1800mm	304SS Solid
SMH0190	4 Tier Floor Type Shelf Assembly	1130 x 380 x 1800mm	304SS Solid
SMH0191	4 Tier Floor Type Shelf Assembly	900 x 500 x 1800mm	304 SS Perforated
SMH0192	4 Tier Floor Type Shelf Assembly	900 x 380 x 1800mm	304SS Perforated
SMH0193	4 Tier Floor Type Shelf Assembly	1130 x 500 x 1800mm	304SS Perforated
SMH0194	4 Tier Floor Type Shelf Assembly	1130 x 380 x 1800mm	304SS Perforated

**Slotted Shelving**

## Slot Fit Wall Type Shelving

### Standard Features

- Manufactured from grade 304 (18/10) stainless steel
- All shelves manufactured with safety edge
- Adjustable within wall-mounted slot
- 300 or 400mm deep shelves

### Specifications

#### Solid Shelves

SMHS Solid Slot Fitted Adjustable Shelving, dimensions... (please specify) shelves, with depth of... (please specify). All components manufactured from 1.2mm gauge grade 304 (18/10) stainless steel. One-piece shelf and integrated bracket with a 25mm apron to front and sides with 30mm turn up at back and safety edge on corners (quantity.....) Supplied with 2 x wall bands code... (please specify) fixed to wall.

#### Perforated Shelves:

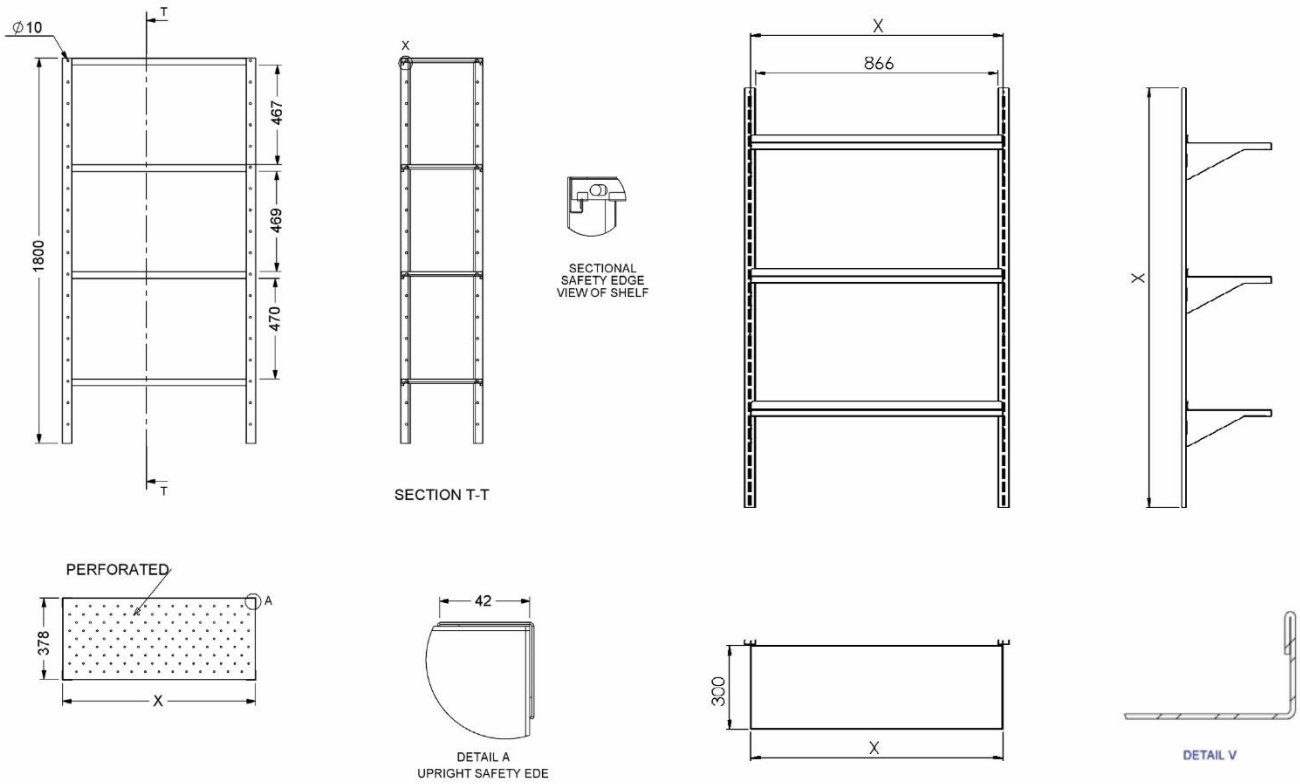
SMHP Perforated Slot Fitted Adjustable Shelving dimensions... (please specify) shelves, with depth of... (please specify). All components manufactured from 1.2mm gauge grade 304 (18/10) Stainless steel. One-piece shelf and integrated bracket with a 25mm apron to front and sides with 30mm turn up at back and safety edge on corners (quantity.....) Supplied with 2 x wall bands code.... (please specify) fixed to wall.

### Product Codes

#### Perforated Shelves

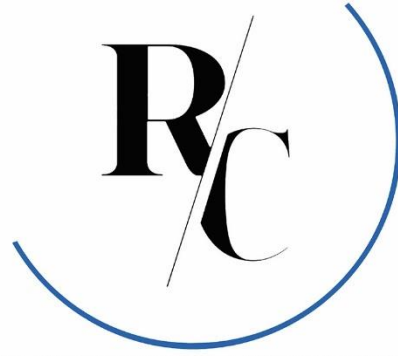
Order Code	Description	Dimensions	Option
SMH0199	Slot Fitted Shelving	900 x 300mm	Perforated
SMH0200	Slot Fitted Shelving	900 x 400mm	Perforated
SMH0201	Slot Fitted Shelving	1200 x 300mm	Perforated
SMH0202	Slot Fitted Shelving	1200 x 400mm	Perforated
SMH0203	Slot Fitted Shelving Wall Band	1000mm	Wall band
SMH0204	Slot Fitted Shelving Wall Band	1500mm	Wall band
SMH0205	Slot Fitted Shelving Wall Band	1800mm	Wall band

## TECHNICAL DRAWINGS



### Product Codes Solid Shelves

Order Code	Description	Dimensions	Option
SMH0195	Slot Fitted Shelving	900x300 mm	Solid
SMH0196	Slot Fitted Shelving	900x400 mm	Solid
SMH0197	Slot Fitted Shelving	1200x300 mm	Solid
SMH0198	Slot Fitted Shelving	1200x400 mm	Solid
SMH0203	Slot Fitted Shelving Wall Band	1000 mm	Wall Band
SMH0204	Slot Fitted Shelving Wall Band	1500 mm	Wall Band
SMH0205	Slot Fitted Shelving Wall Band	1800 mm	Wall Band



**ROFF CONSULTANCY(PTY)LTD**

Cell: +27 828945510 / +27 832140692

Email: [craig@roffconsultancy.co.za](mailto:craig@roffconsultancy.co.za)  
Email: [penny@roffconsultancy.co.za](mailto:penny@roffconsultancy.co.za)

Web: <https://roffconsultancy.co.za/home>



**PATHOLOGY  
& MORTUARY  
SOLUTIONS**

**Safety compliance**

Our Down Draft table designs and performance exceed the strictest international safety requirements and have been independently accredited to contain formaldehyde vapour to below 0.2ppm.

For a comprehensive consultation and design specification, please contact us.

**Product ranges include:**



**Ventilated Specimen Tables**



**Ventilated Dissection Tables**



**Scissor Trolley Jack**



**Body Storage Racking**



**Body Trays**

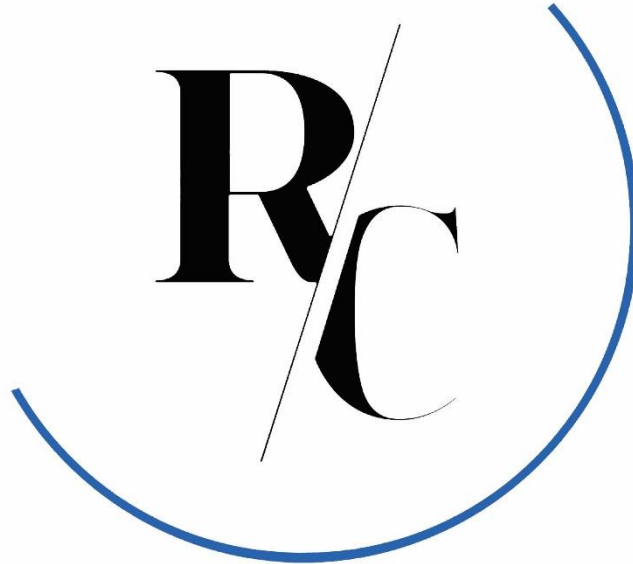


**Water Operated Autopsy Tables**



**Body Wash Mortuary tables**





**ROFF CONSULTANCY(PTY)LTD**

**Cell: +27 828945510 / +27 832140692**

**Email: [craig@roffconsultancy.co.za](mailto:craig@roffconsultancy.co.za)**

**Email: [penny@roffconsultancy.co.za](mailto:penny@roffconsultancy.co.za)**

**Web: <https://roffconsultancy.co.za/home>**